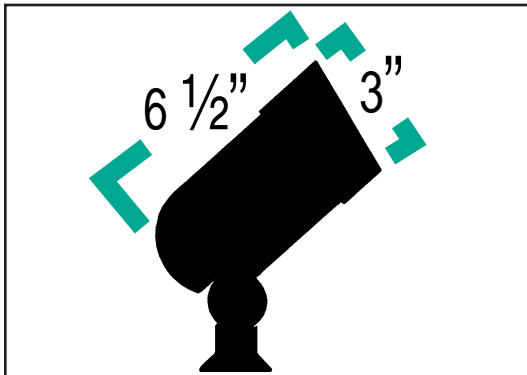


AMBIANCE®
LANDSCAPE LIGHTING SYSTEM



9312-12 BLACK
9312-40 CHESTNUT

LAMP SELECTION:

- One 120-volt PAR 20 (short neck) 50w max, medium base (not included).

DIMENSIONS:

- Body Length: 6 1/2" • Diameter: 3"

TYPICAL APPLICATIONS:

- Highlight or focus on object (i.e. tree, statue)
- Uplighting tree/shrub
- Security lighting
- Moonlighting
- Spot lighting
- Downlighting

PRODUCT FEATURES:

- Directional spot lights provide optimum light output for accent and security lighting.
- Used to achieve dramatic effects such as: downlighting, uplighting, moonlighting, and spot lighting.
- Angular silicone glare shield is rotatable and holds a tempered borosilicate glass lens for water resistance and affords easy lamp replacement with no screws or tools.
- Large swivel with internal teeth and stainless steel screw allows for precise aiming.
- Fully adjustable swivel base easily attaches to 1/2" threaded pipe (not included).
- Constructed of rugged die-cast aluminum with a powder coat finish.
- Corrosion resistant finish is guaranteed for ten years.
- Fixtures supplied with 6" 18/2 AWG cable for flexible electrical connection.
- Swivel, rotate, and aim in any direction.
- Well suited for commercial and residential applications.
- PAR 20 reflector lamp maximizes light output (not included).
- Halogen lamps offer high intensity, quality white light, and long life.
- Choose from various beam spreads to suit any application.
- High heat ceramic socket.
- 120 volt fixtures use encapsulated halogen light bulbs.
- Use standard PAR 20 lamp (NOT long neck).

GENERAL TECHNICAL INFORMATION:

- Use of other manufacturers components will void the Sea Gull Lighting warranty, UL listing, and create a potential safety hazard.
- UL and CUL listed for wet locations (120V).

9312 TECHNICAL INFORMATION

INSTALLATION AND IMPORTANT SAFETY INSTRUCTIONS

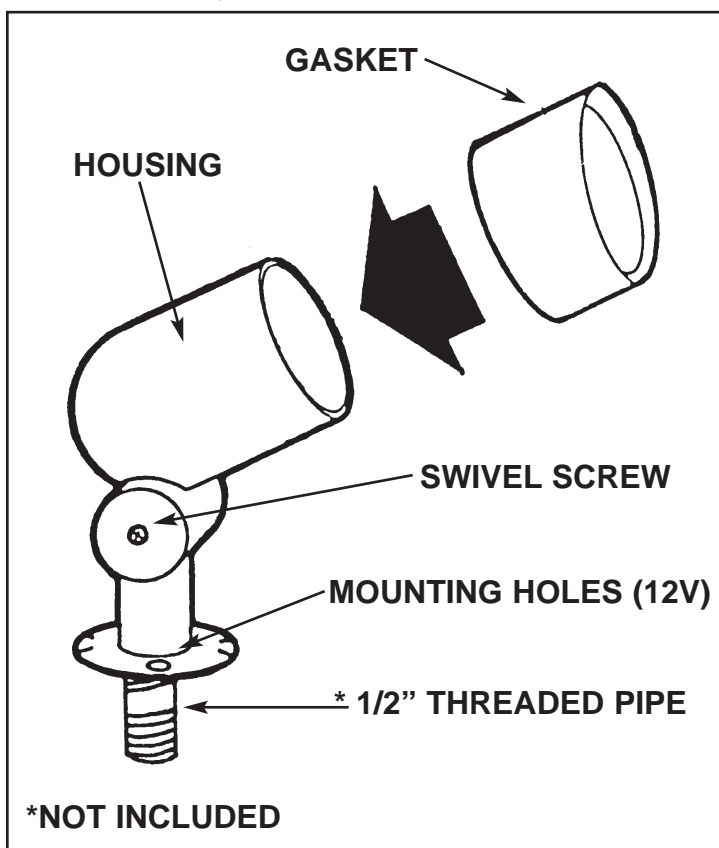
FOR YOUR SAFETY

WARNING: BE SURE ELECTRICITY TO THE SYSTEM YOU ARE WORKING ON IS SHUT OFF; EITHER THE FUSE REMOVED OR THE CIRCUIT BREAKER IS SET AT OFF. ALL CONNECTIONS MUST BE MADE AND TESTED ACCORDING TO NATIONAL AND LOCAL ELECTRICAL CODES. IF YOU ARE UNCLEAR AS HOW TO PROCEED, CONTACT A QUALIFIED ELECTRICIAN.

1. Thread lamp into socket and snap gasket onto housing.

2. Thread a length of 1/2" threaded pipe (not included) or conduit into swivel base.

3. Attach fixture assembly to weather-tight outlet box (not included).



CONNECTIONS

**Black to Neutral (blue or black).
Red to Live (brown or red).
Green to Earth or to Box, if system is grounded.**

A. Take note of the color of the wire(s) on your fixture. Identify which group your fixture wire(s) falls into and connect the wires according to the directions below:

GROUP A: CONNECT TO BLACK HOUSE WIRE	FIGURE 1	GROUP A: CONNECT TO WHITE HOUSE WIRE
BLACK 		WHITE
*PARALLEL WIRE (ROUND & SMOOTH) 		*PARALLEL WIRE (SQUARE & RIDGED)
WHITE OR GREY WITH TRACER 		WHITE OR GREY WITHOUT TRACER
BROWN, GOLD OR BLACK WITHOUT TRACER 		BROWN, GOLD OR BLACK WITH TRACER

*Note: When parallel wire is used, the tracer wire is square shaped or ridged and less tracer wire is round in shape or smooth. (Seen best when viewed from wire end.) To separate wires, grasp the ends of each wire and pull apart.

B. Take your fixture wire(s) from group A and place evenly against the black wire from the outlet box.

DO NOT twist wires together before using wire connectors.

C. Fit a wire connector (not supplied) over the wires and screw the connector clockwise until you feel a firmness.

D. Try gently to pull the connector off the wires. If you can pull the connector off, carefully re-do steps B and C, as above and check again for a firm connection.

E. Connect the fixture wire from group B to the white wire from the outlet box in the same manner.

GROUNDING INSTRUCTIONS: The green grounding screw is to be inserted into the hole with two raised dimples provided on the mounting bar. Wrap the ground wire from the fixture (if supplied) and the ground wire from the outlet box (bare metal or green insulated wire) around the green grounding screw on the mounting bar if uninsulated wire is on the mounting bar, connect the ground wire from the fixture (if supplied) and the outlet box to it using a small wire connector (not supplied).

NOTE: Underwriters Laboratories (U.L.) does not require all fixtures to have ground wires. These fixtures still meet all U.L. specifications. The listing mark of Underwriters on the product identifies products manufactured under its listing and Follow-Up Service Programs.

NEVER CONNECT GROUND WIRE TO BLACK OR WHITE POWER SUPPLY WIRES.