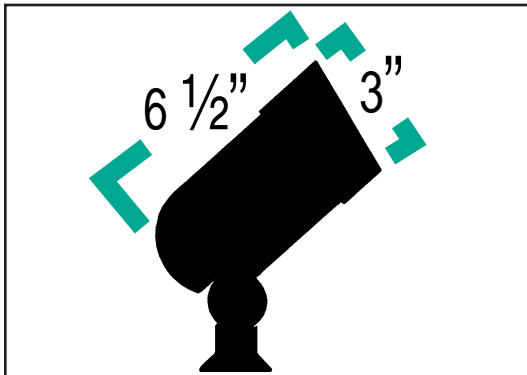


AMBIANCE®
LANDSCAPE LIGHTING SYSTEM



9323-12 BLACK
9323-40 CHESTNUT

LAMP SELECTION:

- One 12V MR16 G5.3, GX5.3 Bi-Pin base halogen lamp 50w max, (not included).

DIMENSIONS:

- Body Length: 6 1/2" • Diameter: 3"

TYPICAL APPLICATIONS:

- Highlight or focus on object (i.e. tree, statue)
- Uplighting tree/shrub
- Security lighting
- Moonlighting
- Spot lighting
- Downlighting

PRODUCT FEATURES:

- Directional spot lights provide optimum light output for accent and security lighting.
- Used to achieve dramatic effects such as: downlighting, uplighting, moonlighting, and spot lighting.
- Angular silicone glare shield holds a tempered borosilicate glass lens for water resistance and affords easy lamp replacement with no screws or tools.
- Fully adjustable swivel base easily mounts to walls, fences, and other solid surfaces, or attaches to a 1/2" threaded pipe or polycarbonate stake (included).
- Large swivel with internal teeth and stainless steel screw allows for precise aiming.
- Constructed of rugged die-cast aluminum with a powder coat finish.
- Corrosion resistant finish is guaranteed for ten years.
- Fixtures supplied with 36" 16/2 AWG cable and connector for flexible electrical connection.
- Select miniature halogen light bulbs.
- Swivel, rotate, and aim in any direction.
- Well suited for commercial and residential applications.
- MR16 reflector lamp maximizes light output (not included).
- Halogen lamps offer high intensity, quality white light, and long life.
- Choose from various beam spreads to suit any application.
- High heat ceramic socket.
- Optional trims available (9354) will provide a 45° glare cut off. 9397 is a spread lens which redirects the beam to an elongated strip of light.

GENERAL TECHNICAL INFORMATION:

- Use of other manufacturers components will void the Sea Gull Lighting warranty, UL listing, and create a potential safety hazard.
- UL and CUL listed for wet locations 12V.

9323 TECHNICAL INFORMATION

INSTALLATION AND IMPORTANT SAFETY INSTRUCTIONS

FOR YOUR SAFETY

WARNING: BE SURE ELECTRICITY TO SYSTEM YOU ARE WORKING ON IS TURNED OFF; EITHER THE FUSE REMOVED OR THE CIRCUIT BREAKER IS SET AT OFF.

1. Snap lamp into lamp holder spring by inserting lip on lamp between ears on spring (FIG. 1). To add an optional spread lens or louver, see (FIG. 3). Insert bi-pin lamp into socket.

2. Press lamp assembly into housing and snap gasket onto housing.

GROUND MOUNTING FOR 9323:

- Slip fixture cable through 9344 stake (included) and thread stake into swivel base.
- Press stake into hole in ground and tamp to secure in place.
- Attach fixture cable to main supply cable with 9380 connector (included).
- Loosen swivel screw and adjust to desired position; retighten screw.

WALL/DECK MOUNTING FOR 9323:

- Drill hole in surface for wire (or) break away tab on swivel base for surface mount wire.
- Attach to surface through holes on swivel base with screws (not included) (FIG. 2).
- Attach fixture cable to main supply cable with 9380 connector (included).
- Loosen swivel screw and adjust to desired position; retighten screw.

DIMMING HALOGEN LAMPS GREATLY REDUCES LAMP LIFE

Lighted lamp is HOT!

WARNING: TO REDUCE THE RISK OF FIRE OR INJURY TO PERSONS:

- Turn off/unplug and allow to cool before replacing lamp.
- Lamp gets HOT quickly! Contact only switch/plug when turning on.
- Do not touch hot lens, guard, or housing.
- Keep lamp away from materials that may burn.
- Do not touch the lamp at any time. Use a soft cloth. Oil from skin may damage lamp.
- Do not operate the fixture with a missing or damaged shield.

Footcandle data is for center beam (0°).
The footcandle level at the widest beam point is approx. 50% of center beam.

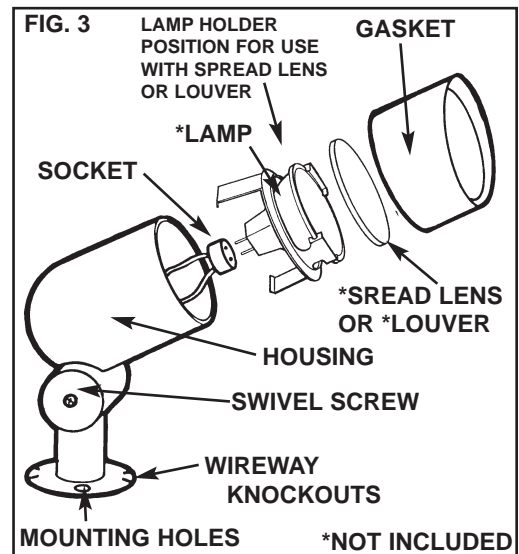
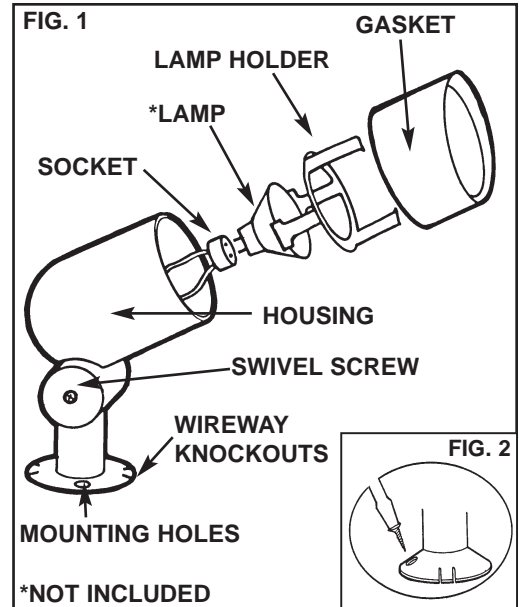
For even illumination space fixtures .85 of beam dia.

Recommended level of illumination for accent lighting must be three times ambient light.

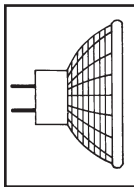
NSP-Narrow Spot, SP-Spot, NFL-Narrow Flood

Distance from Source	9709 15° NSP		9710 25° NFL		9711 40° FL	
	Diameter in Feet	Foot Candles	Diameter in Feet	Foot Candles	Diameter in Feet	Foot Candles
1 ft.	.26	10200	.44	3400	.75	1850
2 ft.	.33	2550	.69	850	1.46	463
3 ft.	.79	1133	1.33	378	2.18	206
4 ft.	1.05	673	1.77	213	2.91	116
5 ft.	1.32	408	2.22	136	3.64	74
6 ft.	1.58	283	2.66	94	4.37	51
7 ft.	1.84	208	3.10	69	5.10	38
8 ft.	2.11	159	3.55	53	5.82	26
9 ft.	2.37	125	3.99	42	6.55	23
10 ft.	2.63	102	4.43	34	7.28	19
11 ft.	2.90	84	4.88	28	8.01	15
12 ft.	3.16	70	5.32	24	8.74	13

Lamp data is based on manufacturers published information and may vary from different vendors.



WARNING: Use of other manufacturer's components will void warranty, U.L. listing and create a potential safety hazard.



LAMPS: MR16 G5.3, GX 5.3 BI-PIN HALOGEN 12V 50W LAMP

Crisp, white halogen light provides dramatic accents and highlighting. Colors appear rich, vibrant and natural. Cool beams are ideal for lighting heat sensitive objects. Glass cover protects lamps for fingerprints, dust and careless handling while providing maximum light output. Halogen lamps offer:

- True color rendition
- Various beam spreads
- 2000 hour lamp life
- Cool beam for heat sensitive objects.

LAMP SELECTION CHART

CAT #	VOLTS	WATTS RATED	WATTS CONSUMED	LIFE (HOURS)	BEAM SPREAD	COLOR (TEMP°K)	Lamp data is based on manufacturers published information recalculated at approx. 12V
9709	12	50	50	2,000	NSP 15°	3,050	
9710	12	50	50	2,000	NFL 25°	3,050	
9711	12	50	50	2,000	FL 40°	3,050	