

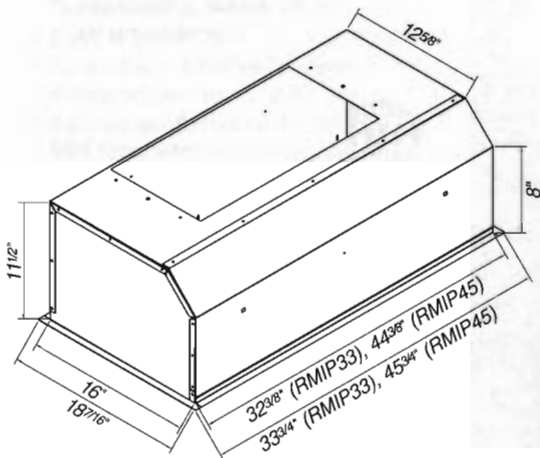
- Brushed stainless steel finish.
- Design allows use with custom liners or Broan Elite Pro-Style Insert liners (sold separately).
- Pro-Style Insert available in 33" and 45" widths.
- Variable speed control for quiet operation.
- Optional remote wall control available.
- Heat Sentry™ detects excessive heat and adjusts blower speed to high automatically.

- Dishwasher-safe stainless steel/aluminum filters, or optional baffle filters.
- Bright halogen lighting, two 50-watt lamps, bulbs not included.
- Choose 460 or 850 CFM Internal, or choice of eight External blower options: four Exterior: 600, 900, 1200 or 1500 CFM, or four In-Line: 280, 600, 800 or 1100 CFM. All blowers sold separately.
- Optional liners in 36", 42", 48" and 60" widths protect custom hoods.

Range Hood Specifications

MODEL	WIDTH	BLOWER*	CFM	FINISH	Optional Accessory
					BAFFLE FILTER KIT
RMIP33	33¾"	Internal	460 (P5), 850 (P8)	430 Brushed Stainless	RBFIP33
		External	*	430 Brushed Stainless	
RMIP45	45¾"	Internal	460 (P5), 850 (P8)	430 Brushed Stainless	RBFIP45
		External	*	430 Brushed Stainless	

* All blowers must be purchased separately and are HVI Certified. See blower specifications table on page 43.



RMIPWC Optional Wall Control for RMIP

Remote wall control provides both variable speed and light control from a more convenient location. Designed to work with the RMIP Pro-Style Insert only.



3-STEP INSERT & BLOWER SELECTION GUIDE

1. Select the right size Pro-Style Insert

- **RMIP33** (33" width) or **RMIP45** (45" width)
- Both feature an 18¾" depth
- 460 or 850 CFM Internal blower options
- 280 – 1500 CFM External blower options

2. Select a Liner to fit your cabinetry

For cabinet/hood inside depths of 23"–26" choose:

- **RML3336S** 36" width, use with **RMIP33**
- **RML3342S** 42" width, use with **RMIP33**
- **RML4548S** 48" width, use with **RMIP45**
- **RML4560S** 60" width, use with **RMIP45**

3. Select a blower for your Insert

Internal blowers:

- **P5** (460 CFM)
- **P8** (850 CFM)

Exterior blowers (outside, roof or wall):

- **331H** (600 CFM)*
- **332H** (900 CFM)*
- **335** (1200 CFM)*
- **336** (1500 CFM)*

In-Line blowers (inside, attic or other space):

- **HLB3** (280 CFM)*
- **HLB6** (600 CFM)*
- **HLB9** (800 CFM)*
- **HLB11** (1100 CFM)*

* 332KR Rough-In Kit is required when used with Exterior and In-Line blower options above (purchased separately).