

DESCRIPTION



DP38-NBF
Brass 2-Gang size



DP38-NBKF
Black 2-Gang size



DP38-NBZF
Bronze 2-Gang size



DP38-NSF
Aluminum 2-Gang size

The **F-Series** Door Station models include **DP38-NBF**, **DP38-NBKF**, **DP38-NBZF**, and **DP38-NSF**. These units provide standard door-to-phone communication when used with the **DP28-C***. A new design not only brings great new looks, but great new additions as well. A discrete slot is available for an optional third-party 14mm pinhole camera and the weather-proof back box provides quality protection and durability for your unit. All F-Series Door Stations mount into any standard double-gang masonry box as a flush mount. An optional back box (DP38-BXFS) is available as a surface mount. Colors are available in 4 anodized finishes: brass, black, bronze, and aluminum. These Door Stations are also available in kits with the DP28-C as the **DP38-BF**, **DP38-BKF**, **DP38-BZF**, and **DP38-SF**.

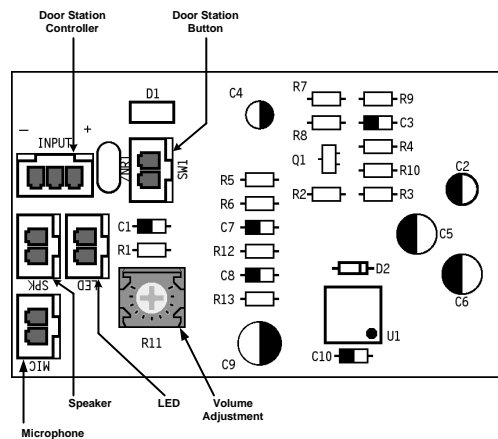
*DP28-C not included

FEATURES

- Manufactured in aluminum with anodized Brass, Black, Bronze, and Aluminum finishes
- Mounts into any standard double-gang masonry box as a flush mount
- Optional surface mount back box (DP38-BXFS) mounts easily on almost any surfaces including fences and gates
- All back boxes are manufactured in steel with black powder-coating finish and provides superior protection from the elements
- No external power required: power drawn from connected Door Station Controller (DP28-C)
- LED button lights up when the Door Station is active
- Discrete slot available for optional 3rd party cameras

APPLICATIONS

- Communicate with people at a door, gate, or any other entrance way where Door Station is present
- Can be placed at:
 - Front/Rear Entrances
 - Remote Entryways
 - Marine Docks
 - Delivery Docks
 - Secured Facilities
 - Senior Housing
 - Disabled Housing
 - Apartment Complex
- Use in conjunction with the DP29-CI to activate external trigger devices (e.g. door chimes, cameras, lights...) with the Door Station
- Use in conjunction with the DP29-SW to open electronically locked doors or gates with the phone
- Use in conjunction with the DP38-T to answer your door with your cellphone
- Mount a third-party 14mm security camera in the camera slot to see who is at your door
- Use as extra Door Station to any Door Station Kit





ACNC/TotalPlex®

DP38-NxF
Door Station (F-Series)

SPECIFICATIONS

Power:

- **Circuit Board:** no external power required
- **Camera:** see third-party camera specifications

Dimensions:

- Door Station: 4.5" x 4.5" x 1.625"

Shipping Weight:

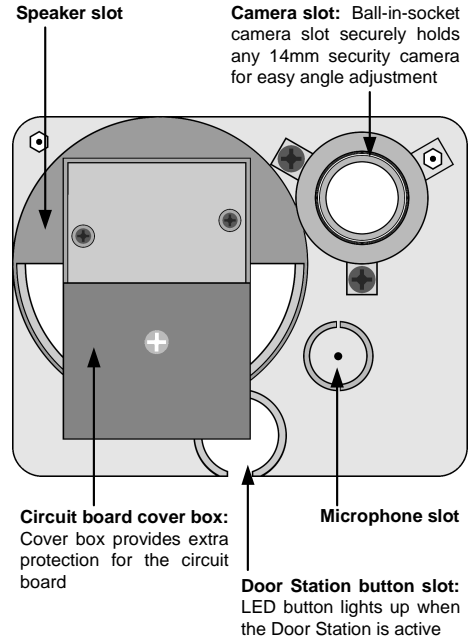
- 2.0 lbs

Speaker:

- Frequency Response: 400~2.8kHz
- Impedance: 8Ω
- Peak Power: 0.25W

Microphone:

- Frequency Response: 200~6.8kHz



MOUNTING

